

# Product data sheet

## Characteristics

# XUK8ARCTL2

Photoelectric sensors XU, XUK, BGS, Sn 0.7 m, 24...240VAC/DC, cable 2 m

Product availability: Stock - Normally stocked in distribution facility

Price\*: 196.00 USD



### Main

Range of Product	Telemecanique Photoelectric sensors XU
Series name	General purpose single mode
Electronic sensor type	Photo-electric sensor
Sensor name	XUK
Sensor design	Compact 50 x 50
Detection system	Diffuse with background suppression
Material	Plastic
Type of output signal	Discrete
Supply circuit type	AC/DC
Wiring Technique	5-wire
Discrete output function	1 C/O
Electrical connection	Cable
Cable length	6.56 Ft (2 m)
Product Specific Application	-
Emission	Infrared diffuse with background suppression
[Sn] nominal sensing distance	2.46 Ft (0.75 m) diffuse with background suppression

### Complementary

Enclosure Material	PBT
Lens material	PMMA
Maximum sensing distance	2.46 Ft (0.75 m) diffuse with background suppression
Output Type	Relay
Cable composition	5 x 0.34 mm <sup>2</sup>
Wire insulation material	PVC
Cable outer diameter	0.24 In (6 mm)
Status LED	1 LED green)supply on 1 LED yellow)output state
[Us] rated supply voltage	24...240 V AC/DC
Supply voltage limits	20...264 V AC 20...264 V DC
Switching capacity in mA	3 A cos φ = 1 for 0.5 million cycles at 1 operating cycle per second at 250 V)

Switching frequency	<= 20 Hz
Maximum voltage drop	<1.5 V closed state)
Current consumption	<= 35 mA no-load
Maximum power consumption in W	2 W AC
Maximum delay first up	60 Ms
Maximum delay response	25 Ms
Maximum delay recovery	25 Ms
Setting-up	Self teaching
Electrical durability	500000 Cycles 1 60 cyc/mn 250 V
Maximum Depth	1.97 In (50 mm)
Maximum Height	1.97 In (50 mm)
Maximum Width	0.71 In (18 mm)
Net Weight	0.33 Lb(US) (0.15 kg)

## Environment

Product Certifications	CE Ecolab
Ambient air temperature for operation	-4...140 °F (-20...60 °C)
Ambient Air Temperature for Storage	-22...158 °F (-30...70 °C)
Vibration resistance	7 gn 10...55 Hz) IEC 60068-2-6
Shock resistance	30 gn 11 ms) IEC 60947-5-2
IP degree of protection	IP65 double insulation IEC 60529

## Ordering and shipping details

Category	22481 - SENSORS, PHOTOELECTRIC
Discount Schedule	DS2
GTIN	03389119053990
Nbr. of units in pkg.	1
Package weight(Lbs)	6.38 Oz (181 g)
Returnability	Yes
Country of origin	ID

## Packing Units

Unit Type of Package 1	PCE
Package 1 Height	1.57 In (4 cm)
Package 1 width	3.74 In (9.5 cm)
Package 1 Length	5.20 In (13.2 cm)

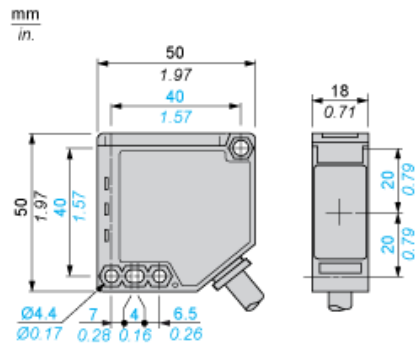
## Offer Sustainability

California proposition 65	WARNING: This product can expose you to chemicals including: Diisononyl phthalate (DINP), which is known to the State of California to cause cancer, and Di-isodecyl phthalate (DIDP), which is known to the State of California to cause birth defects or other reproductive harm. For more information go to <a href="http://www.P65Warnings.ca.gov">www.P65Warnings.ca.gov</a>
REACH Regulation	<a href="#">REACH Declaration</a>
EU RoHS Directive	Pro-active compliance (Product out of EU RoHS legal scope) <a href="#">EU RoHS Declaration</a>
Mercury free	Yes
RoHS exemption information	<a href="#">Yes</a>

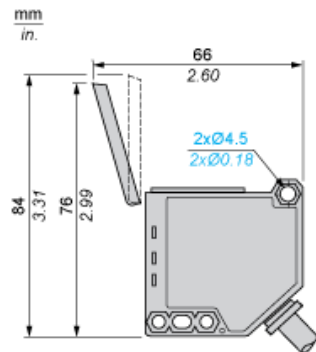
## Contractual warranty

Warranty	18 months
----------	-----------

Dimensions



With cover open

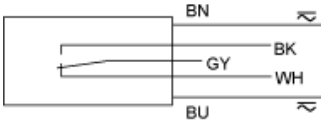


---

Connections and Schemes

---

Cable Connection, Relay Output

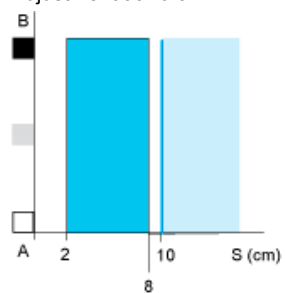


AC/DC (Blue)  
AC/DC (Brown)  
Relay (Grey)  
NO : BK (Black), detection of object  
NC : WH (White), detection of object absence

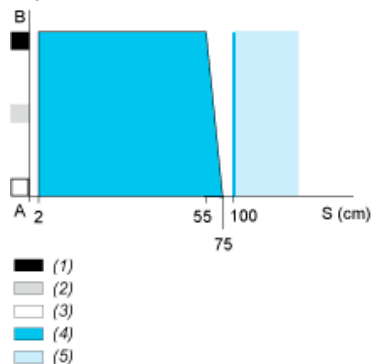
Detection Curves

Variation of Usable Sensing Distance  $S_u$

Adjustment at 10 cm



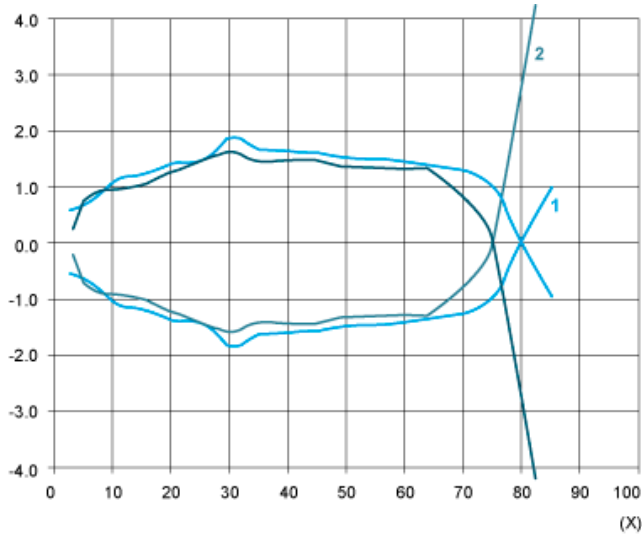
Adjustment at 1 m



A-B : Object reflection coefficient

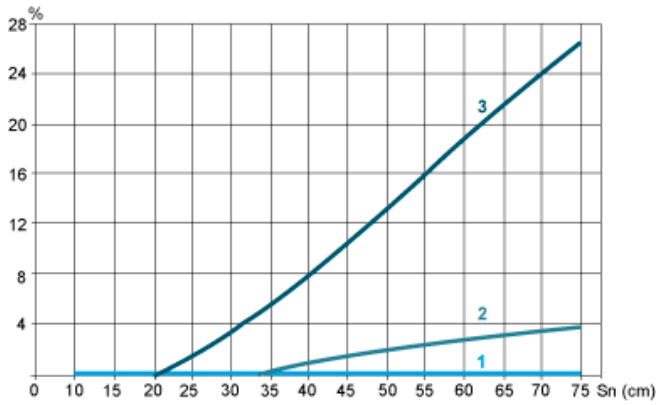
- (1) Black 6%
- (2) Grey 18%
- (3) White 90%
- (4) Sensing range
- (5) Non sensing zone (matt surfaces)

### Detection Curves



1 : White 90%  
 2 : Grey 18%  
 Screen: 20 x 20 cm

### Relative Difference in Sensing Distances According to Object Colour



1 : White 90%  
 2 : Grey 18%  
 3 : Black 6%

Product Life Status : **Commercialised**